

GOT5120T-834

12.1" XGA/SVGA TFT Fanless Touch Panel with Intel® Celeron® Processor J1900

Features

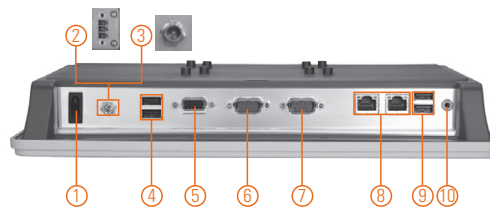
- 12.1" XGA/SVGA TFT LCD display with LED backlight
- Fanless design with Intel® Celeron® processor J1900
- WLAN module and internal antenna
- 2 GbE LAN, 4 USB and 2 COM
- PCI Express Mini Cards for easy expansion
- Supports panel mount/wall mount/VESA arm
- Supports speakers (optional)
- Plastic and IP65-rated front bezel



▲ Side view



▲ Desktop stand



1. Power switch (ATX)
2. Terminal block for DC power input or
3. Screw conn. w/ AC power adapter
4. USB 2.0 x 2
5. VGA
6. COM 1 (RS-232/422/485)
7. COM 2 (RS-232/422/485)
8. Ethernet x 2
9. USB 3.0 x 2
10. Audio (Line-out)



Introduction

The GOT5120T-834 is a 12.1" Intel® Celeron®-based fanless touch panel computer. In response to market demand, this panel computer is a cost effective solution. It adopts a modern, super sleek and fanless design and is equipped with a 12.1" TFT LCD as well as Intel® Celeron® processor J1900 4 cores. For wireless network connection, the GOT5120T-834 offers 2 PCI Express Mini Card slots. By just plugging in the mini card WLAN card, customers can have instant access to wireless LAN/GPRS/GSM/4G environments. Besides, it provides two types of power input. One is DC power input (9 to 36 VDC) with terminal block connector, and another is AC power adapter with screw type connector.

Super Slim & Ultra Lightweight Design

The GOT5120T-834 is a super slim touch panel computer for space-limited environment with its thickness of 52 mm and weight of 2.4 kg only, which make it installed everywhere.

Built-in Internal WLAN Antenna

The GOT5120T-834 provides 2 PCI Express Mini Card slots and a built-in WLAN antenna for wireless network connections. By simply plugging in the wireless LAN card, customers can use the GOT5120T-834 in a wireless LAN/GPRS/GSM/4G environments.

Aluminum Back Chassis with Excellent Thermal Solution

With Axiomtek's patent for plastic plus aluminum mechanism design, the GOT5120T-834 can dissipate the heat easily and keep the system operation stable.

Specifications

Front Bezel	IP65, NEMA 4 rugged protection, plastic front bezel	
LCD Panel	Display Type	12.1" XGA/SVGA TFT LCD with LED backlight
	Brightness (cd/m ²)	500 nits (XGA) 450 nits (SVGA)
	Resolution	1024 x 768 (XGA) 800 x 600 (SVGA)
	Viewing Angel (H/V)	160°/140°
	Main System	CPU
	System Memory	1 x 204-pin DDR3L-1333 MHz SO-DIMM, up to 8GB
	BIOS	AMI UEFI BIOS
	Storage	1 x 2.5" 7/9.5mm SATA HDD 1 x CFast™ or mSATA
	Watchdog Timer	255 levels, 0 to 255 sec.
	Onboard Graphics	Integrated in Intel® GFX

Specifications

I/O Connector	2 x RS-232/422/485 (default RS-232, COM 1/2) 1 x VGA 1 x Audio (Line-out) 2 x USB 2.0 2 x USB 3.0 2 x 10/100/1000 Mbps Ethernet (Intel® i210IT)
TPM	N/A
Expansion Interface	1 x full-size PCI Express Mini Card slot with mSATA 1 x full-size PCI Express Mini Card slot with SIM
Touchscreen	Resistive type
Power Input	1. DC version: 9 to36 VDC with over-current protection fuse 2. AC version: 100 to240 V AC-DC, 60W power adapter
Power Consumption	32 W
Dimensions	327.5 mm (12.9") (W) x 52.5 mm (2.07") (D) x 261.8 mm (10.3") (H)
Packing Dimensions	455 mm (17.91") (W) x 105 mm (4.13") (D) x 340 mm (13.39") (H)
Weight (net/gross)	2.48 kg (5.46 lb)/3.84 kg (8.46 lb)
Environment	Operating temperature: 0°C to+50°C (+32°F to+122°F) (with W.T. DRAM/HDD in airflow condition) 0°C to+45°C (+32°F to+113°F) (with W.T. DRAM/HDD) Relative humidity: 20% to90% @ +40°C; non-condensing Operation vibration: 2G, 5 to500Hz, random for CFast™
Certificate	CE

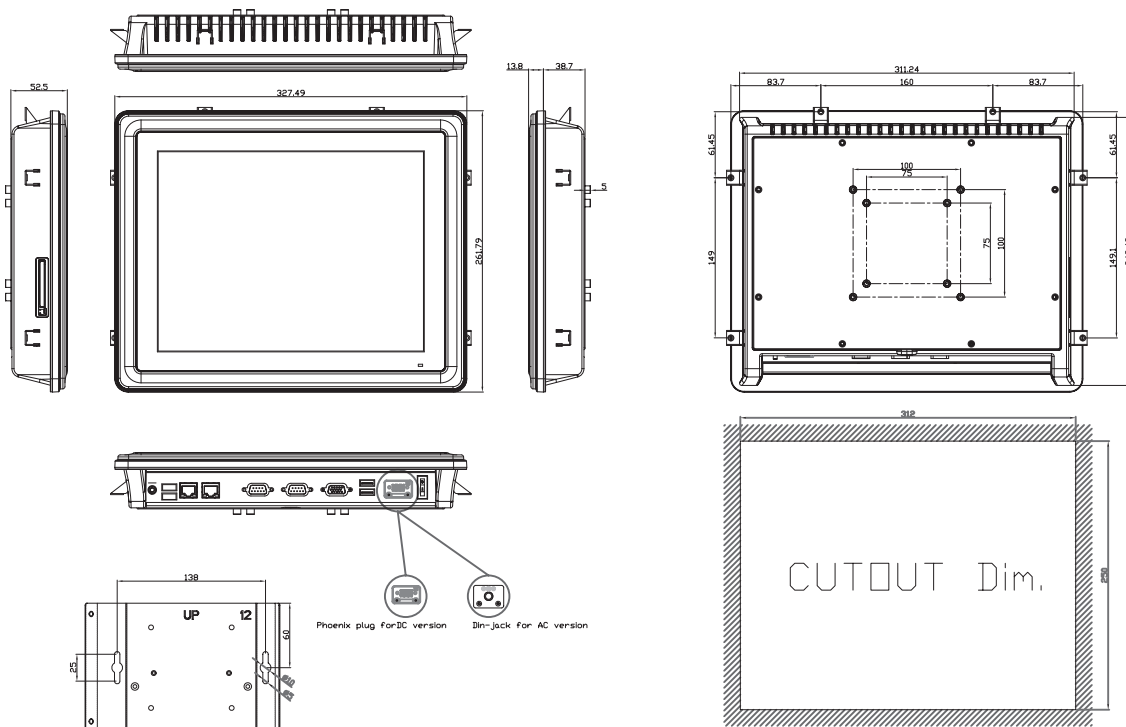
* Specification and certifications are based on options and may vary.

** W.T.: Wide Temperature. All W.T. supported products have to be sorted by Axiomtek.

Packing List

- 1 x GOT5120T-834
- 1 x Driver CD
- 1 x Adapter (GOT5120T-834-J)
- 1 x Panel mount kit
- 1 x Wall mount kit
- 1 x Phoenix connector (GOT5120T-834 DC)

Dimensions



Ordering Information

GOT5120T-834-J	12.1" SVGA fanless touch panel computer with Intel® Celeron® processor J1900, 5-wire resistive touch screen, AC-DC 60W power adapter (screw type connector) and EMI class B
GOT5120T-834-DC	12.1" SVGA fanless touch panel computer with Intel® Celeron® processor J1900, 5-wire resistive touch screen and 9 to36 VDC power input (terminal block connector)
GOT5120T-834-XGA-J	12.1" XGA fanless touch panel computer with Intel® Celeron® processor J1900, 5-wire resistive touch screen, AC-DC 60W power adapter (screw type connector) and EMI class B
GOT5120T-834-XGA-DC	12.1" XGA fanless touch panel computer with Intel® Celeron® processor J1900, 5-wire resistive touch screen and 9 to36 VDC power input (terminal block connector)

Optional

Wi-Fi + Bluetooth kit

Speaker kit

E226171106

Stand kit

881251203A0E

RFID kit

* Specification and certifications are based on options and may vary.

Optional EOS Installation

WE8S

WES 7

Windows 10 IoT Enterprise

Optional OS Installation

Windows® 8.1

Windows® 7

Windows® 10

